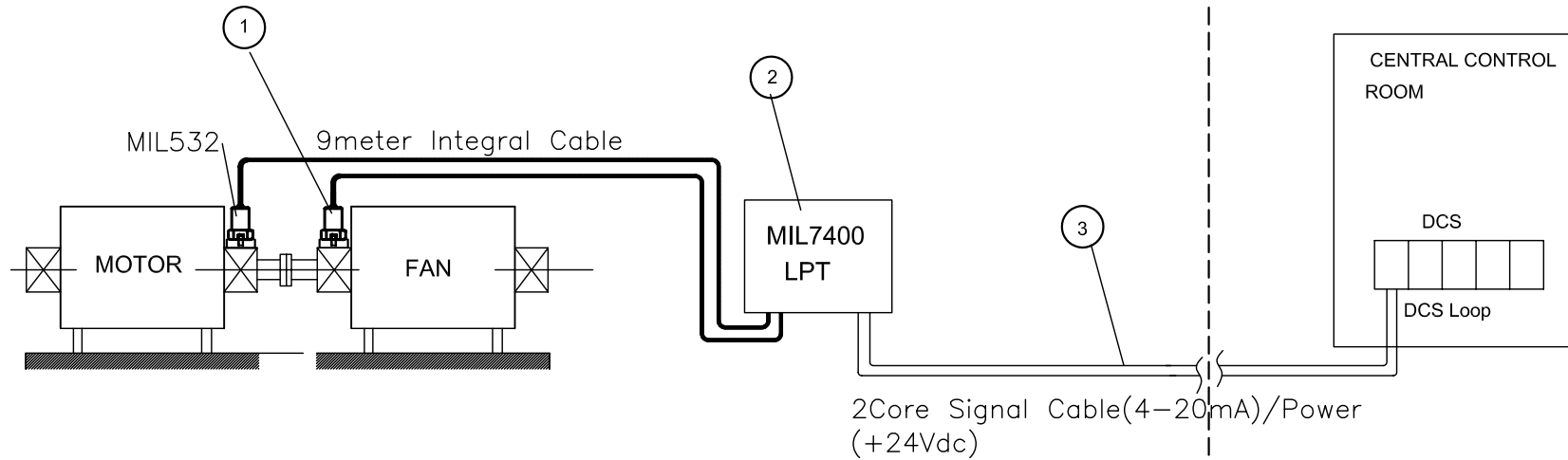


# MIL7400 SERIES LOOP POWERED TRANSMITTER



PLANT AREA

CONTROL ROOM AREA

3	2 Core Cable Signal (4-20mA)/Power (+24V DC)	2	M60056	Mechanalis
2	Transmitter Loop Powered with TWF Output, model MIL7400 Series, Dual Channel, Suitable for Vibration MIL532 sensor, 0-20mm/s <sup>2</sup> -peak	1	M742034100	Mechanalis
1	Sensor Piezo Velocity model MIL532.2-6.0 kHz, 4-20 mV/mm/s, Top Exit, Integrated bridged cable, 1/4"-28 UNF Female thread, with National Traceable Cal. Cert.	2	MS32004000109	Mechanalis
1	UNF Female thread, with National Traceable Cal. Cert.			
S/N	DESCRIPTION	QTY.	PART NO	MAKE
TITLE		Scale	Drawn	13/01/10 JLU
Typical Schematic MIL7400 Loop Powered Signal Transmitter		NTS	Check'd	13/01/10 SB
PROJECT:		DWG.	MD0737	Rev.
MIL		MIL OA	-	
Mechanalis(India)Ltd. condition management solutions		CUST. REF.	-	

REV. DESCRIPTION AUTH. This drawing has been furnished by Mechanalis (India) Limited Mumbai. The information and knowhow herein may not be used or this drawing reported with out written consent of Mechanalis Limited Mumbai. All reproduction in whole or part shall bear or refer to this notice.